



MIAMI-DADE COUNTY
BUILDING CODE COMPLIANCE OFFICE (BCCO)
PRODUCT CONTROL DIVISION

MIAMI-DADE COUNTY, FLORIDA
METRO-DADE FLAGLER BUILDING

140 WEST FLAGLER STREET, SUITE 1603
MIAMI, FLORIDA 33130-1563
(305) 375-2901 FAX (305) 375-2908

www.miamidade.gov

NOTICE OF ACCEPTANCE (NOA)

GE Plastics-Specialty Film & Sheet
One Plastics Avenue
Pittsfield, MA 01201

SCOPE:

This NOA is being issued under the applicable rules and regulations governing the use of construction materials. The documentation submitted has been reviewed by Miami-Dade County Product Control Division and accepted by the Board of Rules and Appeals (BORA) to be used in Miami Dade County and other areas where allowed by the Authority Having Jurisdiction (AHJ).

This NOA shall not be valid after the expiration date stated below. The Miami-Dade County Product Control Division (In Miami Dade County) and/or the AHJ (in areas other than Miami Dade County) reserve the right to have this product or material tested for quality assurance purposes. If this product or material fails to perform in the accepted manner, the manufacturer will incur the expense of such testing and the AHJ may immediately revoke, modify, or suspend the use of such product or material within their jurisdiction. BORA reserves the right to revoke this acceptance, if it is determined by Miami-Dade County Product Control Division that this product or material fails to meet the requirements of the applicable building code.

This product is approved as described herein, and has been designed to comply with the High Velocity Hurricane Zone of the Florida Building Code.

DESCRIPTION: 0.236" (min.) Lexan XL10 Sheet Storm Panel Shutter

APPROVAL DOCUMENT: Drawing No. 05-588, titled "0.236" Lexan XL10 Sheet ", sheet 1 of 1, dated January 23, 2006, prepared by Thornton-Tomasetti Group, signed and sealed by J. W. Knezevich, P.E., bearing the Miami-Dade County Product Control Approval stamp with the Notice of Acceptance number and approval date by the Miami-Dade County Product Control Division.

MISSILE IMPACT RATING: Large and Small Missile Impact

LABELING: Each panel shall bear a permanent label with the manufacturer's name or logo, city, state and the following statement: "Miami-Dade County Product Control Approved", unless otherwise noted herein.

RENEWAL of this NOA shall be considered after a renewal application has been filed and there has been no change in the applicable building code negatively affecting the performance of this product.

TERMINATION of this NOA will occur after the expiration date or if there has been a revision or change in the materials, use, and/or manufacture of the product or process. Misuse of this NOA as an endorsement of any product, for sales, advertising or any other purposes shall automatically terminate this NOA. Failure to comply with any section of this NOA shall be cause for termination and removal of NOA.

ADVERTISEMENT: The NOA number preceded by the words Miami-Dade County, Florida, and followed by the expiration date may be displayed in advertising literature. If any portion of the NOA is displayed, then it shall be done in its entirety.

INSPECTION: A copy of this entire NOA shall be provided to the user by the manufacturer or its distributors and shall be available for inspection at the job site at the request of the Building Official.

This NOA consists of this page 1, evidence submitted page E-1 as well as approval document mentioned above. The submitted documentation was reviewed by **Helmy A. Makar, P.E., M.S.**



Helmy A. Makar
 03/15/2007

NOA No 06-0127.05
Expiration Date: 03/15/2012
Approval Date: 03/15/2007
 Page 1

GE Plastics-Specialty Film & Sheet

NOTICE OF ACCEPTANCE: EVIDENCE SUBMITTED

A. DRAWINGS

1. *Drawing No. 05-588, titled " 0.236" Lexan XL10 Sheet ", sheet 1 of 1, dated January 23, 2006, prepared by Thornton-Tomasetti Group, signed and sealed by J. W. Knezevich, P.E.*

B. TESTS

1. *Test report on Large Missile Impact Test, Cyclic Wind Pressure Test, and Static Wind Pressure Test of Lxan Shutter with Mullion, prepared by Hurricane Test Laboratory, LLC, Report No. 0404-0521-05, dated August 05, 2005, signed and sealed by Vinu J. Abraham, P.E.*

C. CALCULATIONS

1. *Calculations for 0.236" Lexan XL10 Sheet, dated January 23, 2006, page 1 through 5 of 5, prepared by Thornton-Tomasetti Group, signed and sealed by J. W. Knezevich, P.E.*

D. QUALITY ASSURANCE

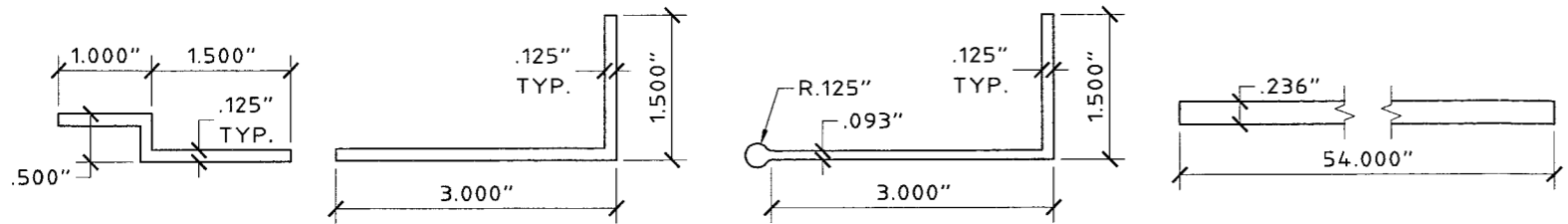
1. *By Miami-Dade County Building Code Compliance Office.*

E. MATERIAL CERTIFICATIONS

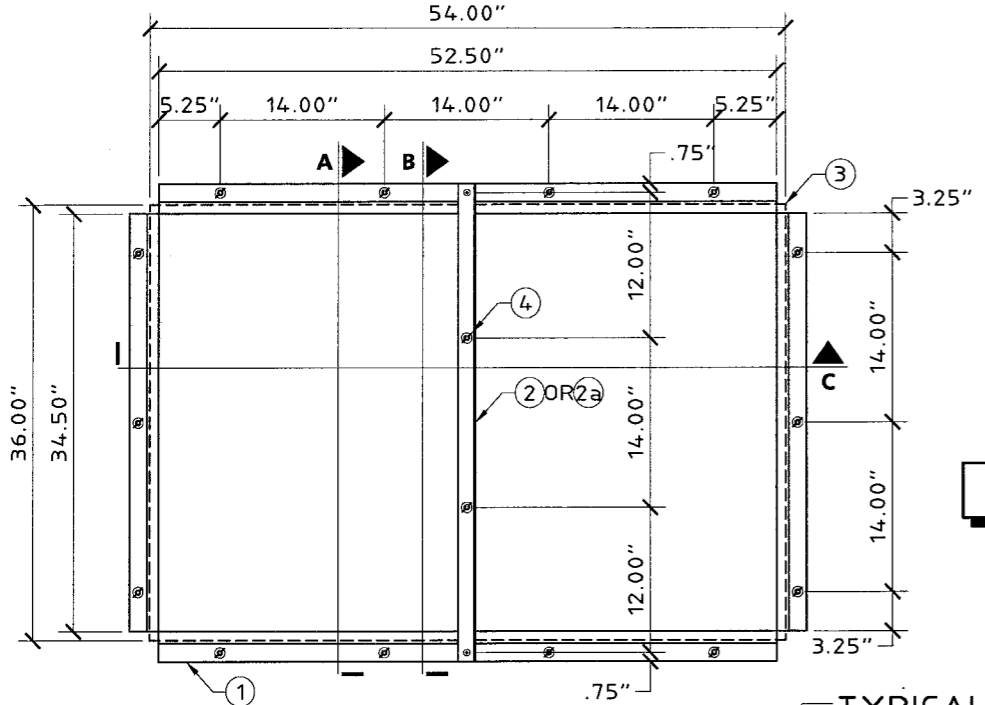
1. *None.*



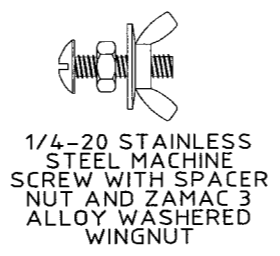
Helmy A. Makar, P.E., M.S.
Product Control Examiner
NOA No 06-0127.05
Expiration Date: 03/15/2012
Approval Date: 03/15/2007



1 Z-BAR SCALE: HALF SIZE
2 MULLION SCALE: HALF SIZE
2a ALT. MULLION SCALE: HALF SIZE
3 LEXAN XL10 SCALE: HALF SIZE



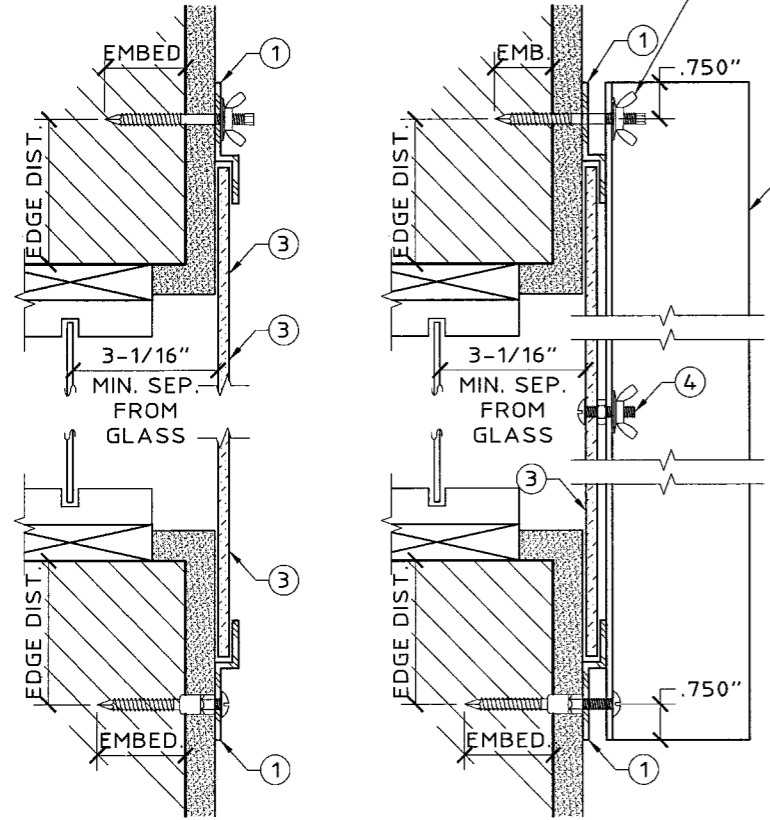
TYPICAL ELEVATION
 SCALE: 3/4" = 1'-0"



4 MULLION FASTENER
 SCALE: HALF SIZE

MAX. DESIGN LOAD = ± 64 PSF

TYPICAL ANCHOR
 FOR CONCRETE AND HOLLOW BLOCK USE:
 1/4" Ø MALE OR FEMALE TEXTRON PANELMATE WITH 1-1/4" MIN. EMBEDMENT AND 2" MIN. EDGE DISTANCE.
 FOR WOOD FRAMING USE:
 1/4" Ø MALE OR FEMALE TEXTRON PANELMATE WITH 1-7/8" MIN. EMBEDMENT AND 3/4" MIN. EDGE DISTANCE. WOOD FRAMING SHALL BE OF SPECIFIC GRAVITY G=0.53 OR GREATER. VERIFY WOOD FRAMING IN FIELD. ANCHORS TO NARROW FACE OF 2x4 STUDS SHALL BE CENTERED IN STUD.



A TYP. SECTION SCALE: 3" = 1'-0"
B SECTION AT MULLION SCALE: 3" = 1'-0"
C TYP. SECTION SCALE: 3" = 1'-0"

GENERAL NOTES:

1. THESE APPROVAL DOCUMENTS REPRESENT A SHUTTER SYSTEM ANALYZED WITH THE PROVISION SET FOR THE ISSUANCE OF A NOTICE OF ACCEPTANCE (NOA) BY MIAMI-DADE COUNTY PRODUCT CONTROL DIVISION FOR THE HIGH VELOCITY HURRICANE ZONE (HVHZ) OF THE FLORIDA BUILDING CODE 2004 WITH 2005 SUPPLEMENT.
2. THIS SHUTTER SYSTEM HAS BEEN TESTED FOR LARGE MISSILE IMPACT RESISTANCE, UNIFORM LOAD RESISTANCE, AND CYCLIC LOAD RESISTANCE IN CONFORMANCE WITH TAS 201, 202, AND 203 RESPECTIVELY.
3. NO INCREASE IN ALLOWABLE STRESS HAS BEEN USED IN THE DESIGN OF THIS PRODUCT.
4. DETERMINE THE POSITIVE AND NEGATIVE DESIGN LOADS TO USE WHEN REFERENCING THESE DOCUMENTS IN ACCORDANCE WITH THE GOVERNING CODE AND GOVERNING WIND VELOCITY. FOR WIND LOAD CALCULATIONS IN ACCORDANCE WITH ASCE 7-02, A DIRECTIONALITY FACTOR OF $K_d = 0.85$ SHALL BE USED.
5. THESE APPROVAL DOCUMENTS ARE GENERIC AND DO NOT INCLUDE INFORMATION FOR SITE-SPECIFIC APPLICATION OF THIS SHUTTER SYSTEM.
6. USE OF THESE APPROVAL DOCUMENTS SHALL COMPLY WITH CHAPTER 61G15-23 OF THE FLORIDA ADMINISTRATIVE CODE.
7. THESE APPROVAL DOCUMENTS, ARE SUITABLE TO BE APPLIED BY THE CONTRACTOR PROVIDED THE CONTRACTOR DOES NOT DEVIATE FROM THE CONDITIONS DETAILED HEREIN AND THE CONTRACTOR VERIFIES THAT THE EXISTING STRUCTURE DOES NOT DEVIATE IN EITHER FORM OR MATERIAL FROM THE STRUCTURAL SUBSTRATES DETAILED HEREIN.
8. ANY MODIFICATIONS OR ADDITIONS TO THESE APPROVAL DOCUMENTS WILL VOID THE APPROVAL DOCUMENTS.
9. WHEN THE SITE CONDITIONS DEVIATE FROM THESE APPROVAL DOCUMENTS, THE BUILDING OFFICIAL MAY ELECT ONE OF THE FOLLOWING OPTIONS:
 - A) REQUIRE THAT SITE SPECIFIC DOCUMENTS BE PREPARED, SIGNED, DATED AND SEALED BY A LICENSED ENGINEER OR REGISTERED ARCHITECT, WHICH DETAIL AND JUSTIFY THE DEVIATION. SAID DOCUMENTS SHALL BE SUBMITTED TO THE PRODUCT ENGINEER FOR REVIEW AS A CONDITION TO THE BUILDING OFFICIAL GRANTING HIS/HER APPROVAL.
 - B) REQUIRE THAT A ONE-TIME SITE SPECIFIC APPROVAL BE APPLIED FOR AND SECURED FROM THE MIAMI-DADE COUNTY PRODUCT CONTROL DIVISION.
10. PRODUCT MARKINGS SHALL BE WITHIN 12" OF ONE END OF THE PANEL WITH A MINIMUM OF ONE MARKING PER PANEL AND SHALL BE PERMANENTLY LABELED AS FOLLOWS:

**GENERAL ELECTRIC COMPANY
 PITTSFIELD, MASSACHUSETTS
 MIAMI-DADE COUNTY PRODUCT CONTROL APPROVED**
11. ALL EXTRUSIONS SHALL BE 6063-T6 ALUMINUM ALLOY, U.O.N.
12. ALL BOLTS AND WASHERS SHALL BE GALVANIZED OR STAINLESS STEEL WITH A A MINIMUM TENSILE STRENGTH OF 60 K.S.I.
13. LEXAN STORM PANEL SHALL BE 0.236" THICK FLAT SHEET LEXAN XL10 AS MANUFACTURED BY GE ADVANCED MATERIALS AS REFERENCE IN MIAMI-DADE, N.O.A. No. 03-1210.04.
14. ANCHORS SHALL BE INSTALLED IN ACCORDANCE WITH MANUFACTURERS RECOMMENDATIONS. EMBEDMENT LENGTHS SHALL BE AS NOTED AND DO NOT INCLUDE STUCCO OR OTHER FINISHES.

TYPICAL ANCHOR
 FOR CONCRETE AND HOLLOW BLOCK USE:
 1/4" Ø MALE OR FEMALE TEXTRON PANELMATE WITH 1-1/4" MIN. EMBEDMENT AND 2" MIN. EDGE DISTANCE.
 FOR WOOD FRAMING USE:
 1/4" Ø MALE OR FEMALE TEXTRON PANELMATE WITH 1-7/8" MIN. EMBEDMENT AND 3/4" MIN. EDGE DISTANCE. WOOD FRAMING SHALL BE OF SPECIFIC GRAVITY G=0.53 OR GREATER. VERIFY WOOD FRAMING IN FIELD. ANCHORS TO NARROW FACE OF 2x4 STUDS SHALL BE CENTERED IN STUD.

Approved as complying with the Florida Building Code
 Date: 03/15/2007
 NOA# 06-0127.05
 Miami Dade Product Control Division
 By: *Helmy A. Helmy*

Thornton-Tomasetti Group
 330 N. Andrews Ave., Suite 450 • Ft. Lauderdale, FL 33301
 Tel. (954) 572-3690 • Fax (954) 572-3691 • COA # 7519
 Website: www.TheTTGroup.com
 Copyright © 2006 Thornton-Tomasetti Group, Inc.

0.236" LEXAN® XL10 SHEET
GENERAL ELECTRIC COMPANY
 GE ADVANCED MATERIALS
 SPECIALTY FILM & SHEET
 ONE PLASTIC AVENUE
 PITTSFIELD, MA 01201

J.W. Knezevich
 Professional Engineer
 FL License No. PE 0041961

[Signature]
JAN 23 2006

no	date	by	description

date: 01/23/2006
 scale: AS NOTED
 design by: JWJ
 checked by: JWJ
 drawing no. **05-588**
 sheet 1 of 1